

Plan View Landing or Deck

Additions, i.e. *porches, decks, or entry landings* constructed on-site shall be **self-supporting** and shall **not be attached** to manufactured homes.
MSBC Chapter 1350.0400, Subp. 3

BEAMS (Typical)

___ # of plys. ___" x ___

(Check One of the Following)

- .40 ACQ Pressure Treated Wood
- Cedar
- Redwood
- Post to Beam Connector _____

SUPPORT POSTS (Typical)

___" x ___

(Check One of the Following)

- .40 ACQ Pressure Treated Wood
- Cedar
- Redwood

JOIST (Typical)

___" x ___

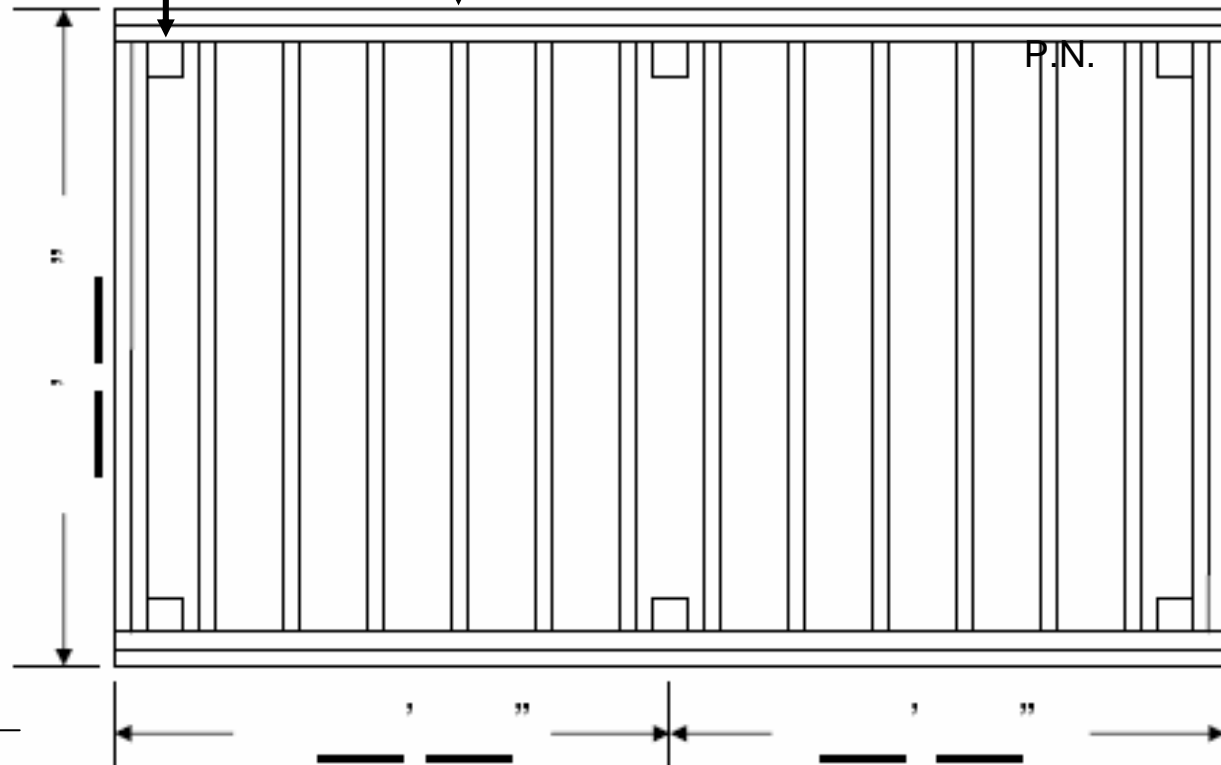
(Check One of the Following)

- .40 ACQ Pressure Treated Wood
- Cedar
- Redwood

OTHER REQUIRED JOIST INFO.

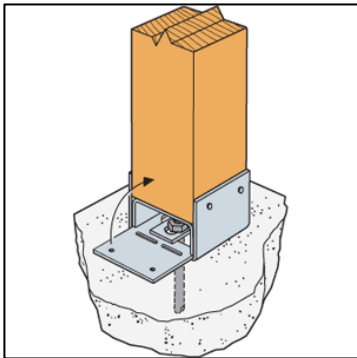
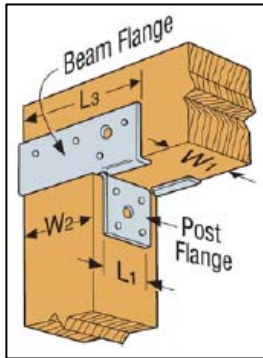
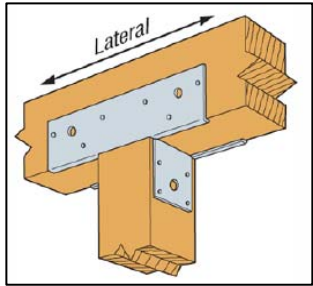
___" On Center Spacing

- Beam to Joist Fastener ___d # ___
- Hanger Product # _____



P.N. = Product Number

Landing/Deck Section



SUPPORT POSTS (Typical)

___ " x ___

(Check One of the Following)

- .40 ACQ Pressure Treated Wood
- Cedar
- Redwood

BEAMS (Typical)

___ # of plys. ___ " x ___

(Check One of the Following)

- .40 ACQ Pressure Treated Wood
- Cedar
- Redwood
- Post to Beam Connector _____
- Post to Footing Connector _____

P.N.

P.N.

JOIST (Typical)

___ " x ___

(Check One of the Following)

- .40 ACQ Pressure Treated Wood
- Cedar
- Redwood

OTHER REQUIRED JOIST INFO.

___ " On Center Spacing

- Beam to Joist Fastener ___ d # ___
- Hanger Product # _____

FOOTING CONFIGURATION

___ " x ___ x ___

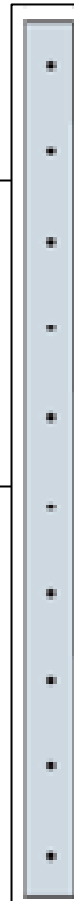
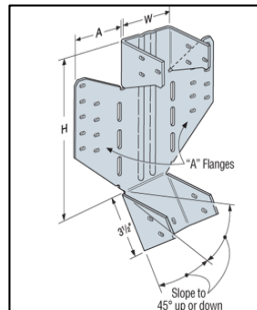
Grade

P.N. = Product Number

Stair/Handrail Section Details

Stair Section

- ❑ Stringer size and species;
- ❑ Rise and run dimension;
- ❑ Tread size and species;
- ❑ Riser size and species;
- ❑ Stringer to landing connection.



Stair and Landing Requirements

1. Stairways with a total rise of 30 inches or more above grade shall be provided with guards not less than 34 inches high measured from the tread nose.
2. Guards shall have intermediate rails spaced so that a 4-3/8 inch sphere can not pass through.
3. The triangular area formed by the treads and a horizontal bottom rail shall be built as to not allow the passage of a 6 inch sphere.
4. Attach stair stringers to the deck with metal straps or hangers.
5. Minimum tread depth is 10 inches. All treads shall be uniform in depth within 3/8 inch from the largest to the smallest. A nosing of 3/4 inch to 1-1/4 inch shall be provided on stairways with solid risers, and the nosings shall also be uniform within 3/8 of an inch from largest to smallest.
6. Maximum riser height is 7-3/4 inches. Risers shall be uniform within 3/8 inch from the largest to the smallest riser.
7. When using composite lumber for stair treads they must be installed with the specified maximum stringer spacing listed in the products testing report.
8. The grippable handrail shall be installed between 34 and 38 inches above the sloped plain formed by the tread nosings of the stairway.
9. Handrails shall be continuous the full length of the stairway and shall either terminate into a newel post or be returned into the guardrail as shown. Provide 1- 1/2 inches clearance between handrail and guard.
10. The minimum width of a stairway is 36 inches. Handrails are allowed to project up to 4-1/2 inches into the minimum allowed width.
11. The bottom of stair stringers shall be supported on a hard level surface like concrete or pavers or shall be provided with treated wood blocks to keep the stringers from sinking into the ground.
12. A level landing measuring a minimum of 36" x 36" shall be provided at the top and bottom of stairways.
13. Open risers shall be constructed as to not allow the passage of a 4 inch sphere.

8

Guard/Handrails Section

- ❑ Rail and post size and species;
- ❑ Opening treatment;
- ❑ Connections/Fasteners.